

Savant DigiFlow 8100T-L, LCD Display Flow Monitor, Liter model

SAVANT ELECTRONICS INC.

2088-3, Sec.1, Huanzhong road, Taichung 40761, Taiwan

Tel : 886 4 2425 5578 Fax : 886 4 2425 0396

Email : savantco@ms65.hinet.net

Website : www.digisavant.com

Features :

- Filter capacity life monitor, from 500 to 99500 liters.
- Filter elapse time monitor, from 30 to 720 days
- Flow rate display, 0.6 -8.0 lpm
- Near end of filter life alert
- End of filter life alert
- Battery operated, 2 AA batteries
- Low battery power alert
- Automatic data memorized when battery power is off



Application :

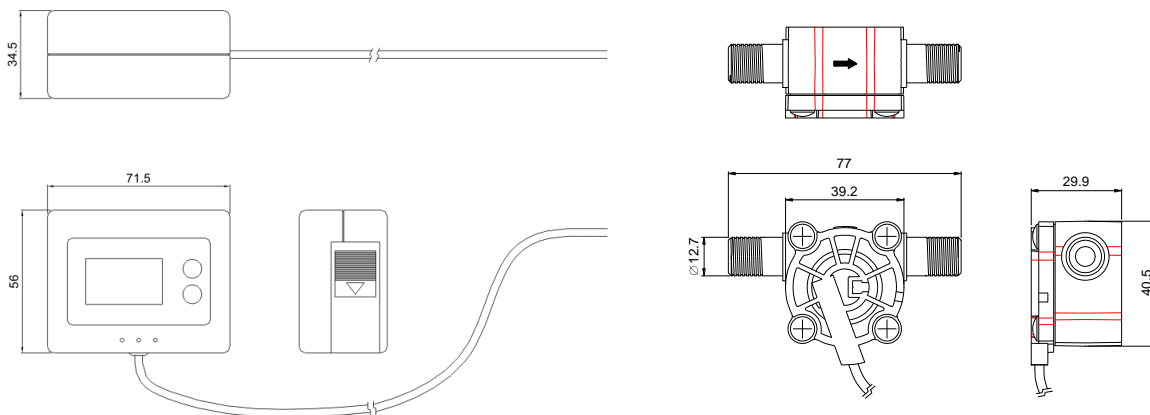
- ✓ Under sink water treatment system
- ✓ Commercial water treatment system
- ✓ Water dispenser

1.0 Electrical :

Operating Voltage : 3 DC Volts

Operating Current : 1.0 mA (work), 0.015 mA (sleep)

2.0 Mechanic :

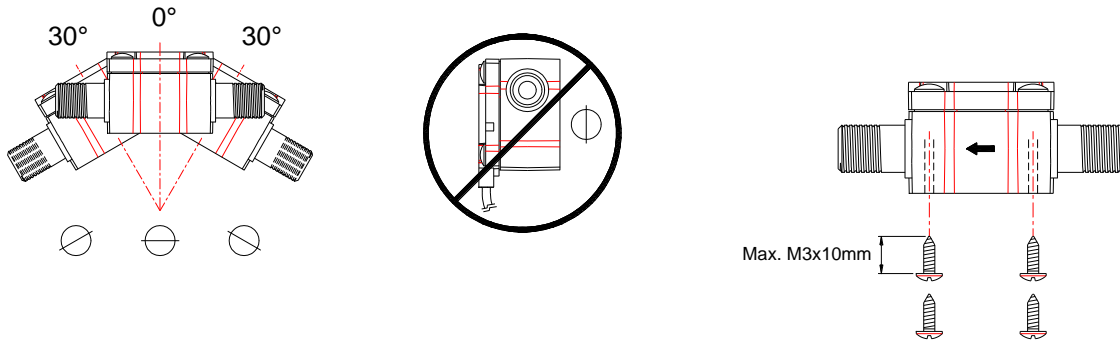


3.0 Application :

Mounting Method : Refer the following figure

Flowing Direction : One direction

Flow Rate : 0.6 – 8.0 lpm



4.0 General :

Temperature : 0 to 80°C

Pressure : Max. 8 bar

Weight : 140 g

Accuracy : +/- 5 %

Connection : 1/4" BSP male

Materials : Sensor Body : PA66 with 50% glass fiber

Turbine : Acetal Copolymer, TICONA M90

Stick of Paddle Wheel : #304 Stainless Steel

O-Ring : EPDM Rubber

5.0 Operation Guide

5.1 Install Batteries

Slide off the cover case of the battery room, and put into 2 AA alkaline batteries. Then slide the cover case back.

5.2 Connecting Fitting

The specification of the DigiFlow 8100T connectors is 1/4" BSP male.

5.3 Setting Filter Capacity and Elapse Time Monitor

Keep pressing DISPLAY button, then press RESET button and release both of the buttons. The DigiFlow 8100T will go into setting procedure. The digit will blink to notice you that the setting procedure is on.

5.4 Setting Filter Capacity

Press DISPLAY button to choose the capacity value. The sequence is OFF - 500 - 1000 --- 99500 - OFF - 0 - 500. Then press RESET button to save the filter capacity. . Then go into elapse time setting.

5.5 Setting Filter Elapse Time

Press DISPLAY button to choose the elapse time value. The sequence is OFF - 0 - 30 - 60 - 90 690 - 720 - OFF - 0 -30. Then press RESET to save the elapse time. The setting procedure is completed.

* Either of the capacity mode or elapse time will be disabled when you choose value as OFF.

** The setting procedure will be terminated, and go back to the original status if there is no input for 10 seconds.

5.6 Operating

The DigiFlow 8100T will be automatically turn on when there is water flowing through the sensor. It will automatically turn off in 10 seconds when there is no water flowing.

5.7 Mode Selection :

Press DISPLAY button is to display the status of the three modes of the DigiFlow 8100T.

1. Filter remaining capacity mode, 2. Filter remaining elapse time and 3. Flow rate.

5.8 Near End o Life Alert

When filter remaining capacity is less than 100 liters or filter remaining elapse time is less than 7 days, the buzzer will beep once and the digit will blink to notice user that the filter cartridge is near its end of life.

5.9 End of Life Alert

When filter remaining capacity reaches 0 liter or filter remaining time reaches 0 day, the buzzer will beep twice and the digit will blink to notice user that the filter cartridge is in its end of life, and out of function.

After change the filter cartridge, press RESET button. The DigiFlow 8100T will be reset to the original filter remaining capacity and remaining elapse time value, and start monitoring filter again.

5.10 Low Battery Power Alert

When the battery power lower than normal working level, the buzzer will beep twice to notice and the battery symbol on the screen will blink to notice user to change the battery. Once the batteries are replaced, the alert will be released. The data will be kept in memory and stored back when user replace the batteries.